

EC6069

Battery Module Dry Cell 2x9V



EC6069

Underwater sound measurements in the field often require hydrophones with built-in preamplifiers or they are connected to conditioning amplifiers that requires portable DC voltage supply.

The EC6069 Battery Module supplies 18VDC from two exchangeable dry cell batteries. EC6069 is an ideal DC voltage source for hydrophones and for the preamplifiers VP1000 and CCA1000.

The EC6069 consists of a sealed EMI/RFI shielded aluminum case that encloses 2 x 9 Volt Alkaline batteries type IEC 6 LR 61 9Volt 0.55ah.

TECHNICAL SPECIFICATIONS

Battery voltage:	18 Volt (2 x 9 Volt) Dry Cell
Operating time for long life batteries supplying Hydrophone type:	
TC4032:	>10 hours
TC4035:	>16 hours
Temperature range:	
Operating:	-10 to +50°C
Storage:	-30 to +50°C
Battery type:	IEC 9V 6LR 61 0.55 ah
Dimensions (L.w.h.):	125 x 80 x 60mm
Weight including cable:	0.56kg.
Accessories included:	DC supply cable TL 8084

The battery condition is displayed on the indicator with a red and green field. The battery is fully charged when the pointer is in center of the green field.
The battery condition indicator measures the actual voltage on the battery cells.
The indicator should be read with load applied.
The ON switch is exposing a red mark in ON position to remind the user to shut the battery supply off when not in use.

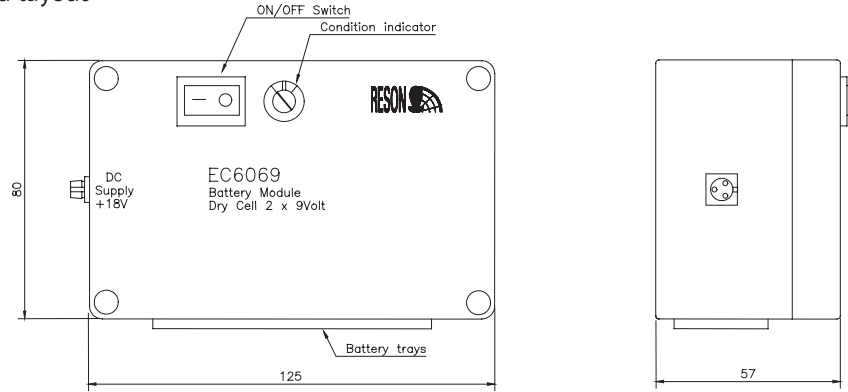
AT A GLANCE

- Sealed EMI/RFI shielded aluminum box
- Battery charge condition indicator
- ON/OFF switch exposing red for ON
- Easy replaceable 9V 6F22/PP3 batteries

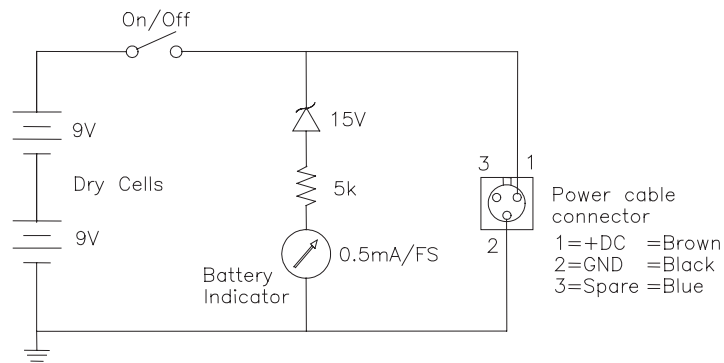


Battery Module Dry Cell 2x9V EC6069

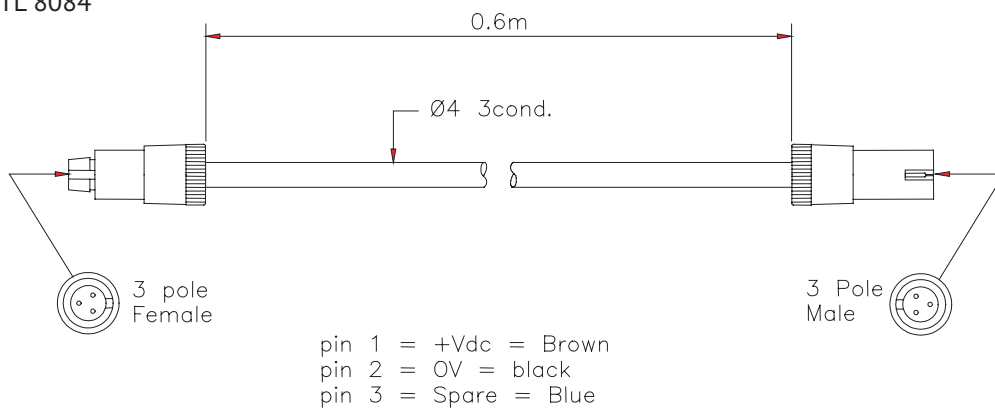
Outline dimensions and layout



Circuit Diagram



DC supply cable TL 8084



For more details visit www.teledyne-reson.com or contact your local Teledyne RESON Office. Teledyne RESON reserves the right to change specifications without notice. 2015©Teledyne RESON

Teledyne RESON A/S

Denmark

Tel: +45 4738 0022

info@teledyne-reson.com

Teledyne RESON Inc.

U.S.A.

Tel: +1 805 964-6260

sales@teledyne-reson.com

Teledyne RESON Ltd.

Scotland U.K.

Tel: +44 1224 709 900

sales@reson.co.uk

Teledyne RESON B.V.

The Netherlands

Tel: +31 (0) 10 245 1500

info@reson.nl

Teledyne RESON GmbH

Germany

Tel: ++49 421 3770 9600

info@teledyne-reson.com

Teledyne RESON Shanghai Office

Shanghai

Tel: +86 21 64186205

shanghai@teledyne-reson.com