

# EC6073

## Input Module



### EC6073

The EC6073 Input Module is equipped with two input connectors that provides connection for RESON hydrophones terminated with either Jupiter or LEMO connectors.

A four-pole connector required for TC4014 connectors can be optionally supplied on request.

The EC6073 distributes and terminates the hydrophone cable connections to DC supply, signal output and insert calibration.

#### AT A GLANCE

- Sealed EMI/RFI shielded aluminum box
- Dual input
- DC supply from battery modules
- Insert calibration
- BNC OutputConnector

### TECHNICAL SPECIFICATIONS

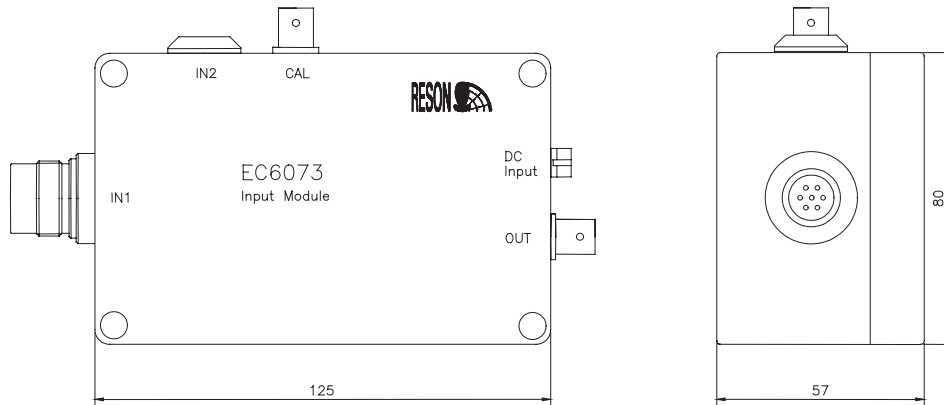
<b>EC6073 Connections:</b>	TL4032 connection JUPITER M 10 7 polereceptacle TC4014 connection. Not standard, 4 poleinsert is available on request. TC4035 connection LEMO 4 polereceptacle. Signal output on BNC connector. Insert Voltage Calibration on BNC connector DC-supply to hydrophones on 3 pole connector
<b>Weight:</b>	0.55kg
<b>Dimensions:</b>	L.w.h. 125 x 80 x 60mm
<b>Accessories included:</b>	Supply cable TL8088

Insert voltage calibration of hydrophones can be performed by connecting CAL (BNC connector) to a Sine-generator and the hydrophone output from OUT connector to scope or voltmeter measures the response.

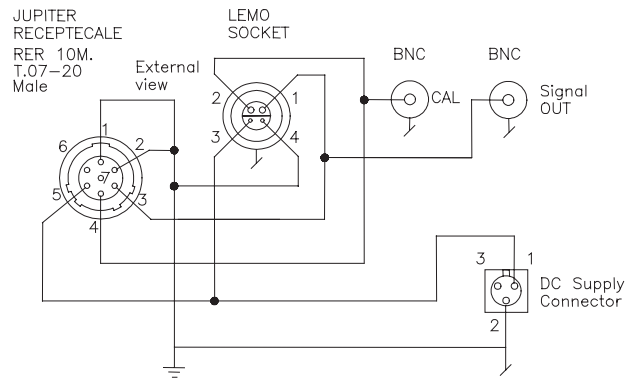
DC voltage supply to the hydrophone preamplifiers can be supplied either from the portable Battery Modules EC6068 or EC6069 or from the EC6072 battery charger if mains are available. The TL8084 cable is used for DC supply connections.

# Input Module EC6073

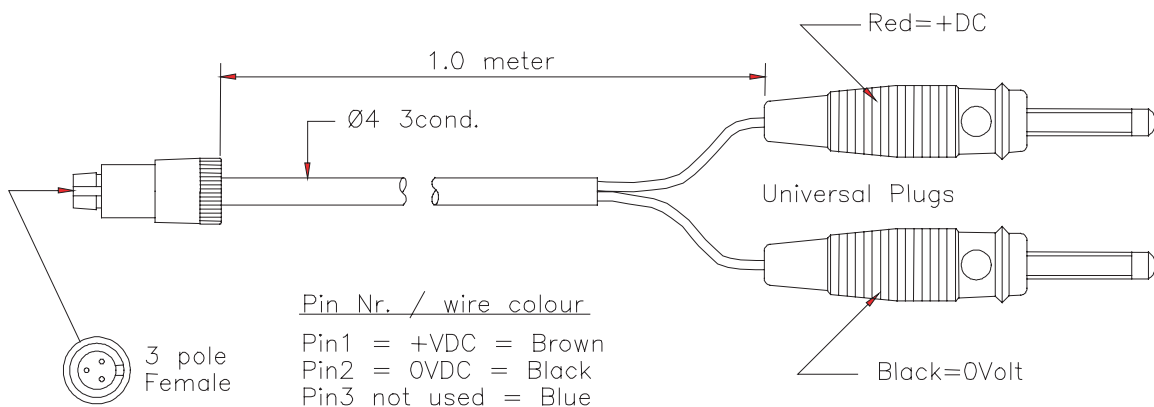
## Outline dimensions and layout



## Circuit Diagram



## TL 8088 Supply Cable



For more details visit [www.teledyne-reson.com](http://www.teledyne-reson.com) or contact your local Teledyne RESON Office. Teledyne RESON reserves the right to change specifications without notice. 2015©Teledyne RESON

Teledyne RESON A/S

Denmark  
Tel: +45 4738 0022  
info@teledyne-reson.com

Teledyne RESON Inc.

U.S.A.  
Tel: +1 805 964-6260  
sales@teledyne-reson.com

Teledyne RESON Ltd.

Scotland U.K.  
Tel: +44 1224 709 900  
sales@reson.co.uk

Teledyne RESON B.V.

The Netherlands  
Tel: +31 (0) 10 245 1500  
info@reson.nl

Teledyne RESON GmbH

Germany  
Tel: ++49 421 3770 9600  
info@teledyne-reson.com

Teledyne RESON Shanghai Office

Shanghai  
Tel: +86 21 64186205  
shanghai@teledyne-reson.com